

Zone Dampers

Round and Rectangular

Table 1. Round Zone Damper

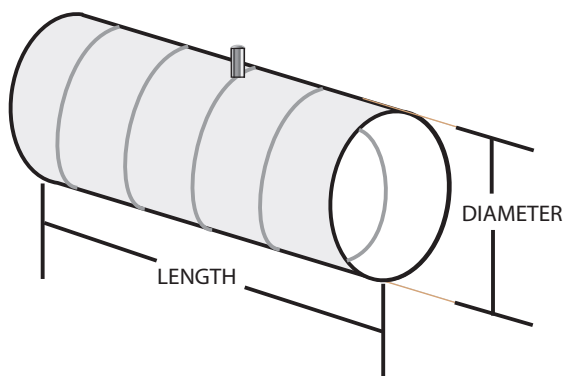
Part Number	Duct Diameter (inches)	Duct Length (inches)	Ship Weight (lbs)	CFM Airflow		
				800 (fpm)	1000 (fpm)	1200 (fpm)
OPNDR06	6	18	5.3	160	200	240
OPNDR08	8	18	7.3	280	350	420
OPNDR10	10	18	8.3	440	550	660
OPNDR12	12	24	12.3	630	790	950
OPNDR14	14	24	15.3	850	1062	1275
OPNDR16	16	24	17.3	1125	1350	1675

Table 2. Rectangular Zone Damper

Part Number	Duct Size (inches)	Duct Length (inches)	Ship Weight (lbs)	CFM Airflow		
				700 (fpm)	900 (fpm)	1100 (fpm)
OPND8X10	8 x 10	13.5	9.3	388	499	610
OPND8X14	8 x 14	13.5	11.3	525	675	825
OPND8X18	8 x 18	13.5	12.3	684	880	1075
OPND8X24	8 x 24	13.5	15.3	914	1175	not recommended

Round Zone Damper

Spiral Metal Duct Housing: 24 Ga.
Elliptical Damper Blade: 20 Ga.
Integral Supply Air Temperature Sensor
See Table 1 for dimensions.



Rectangular Zone Damper

Duct Housing: 24 Ga.
Damper Blade: 20 Ga.
Duct Connection: Standard "S" Lock & Drive Cleats
Integral Supply Air Temperature Sensor
See Table 2 for dimensions.

