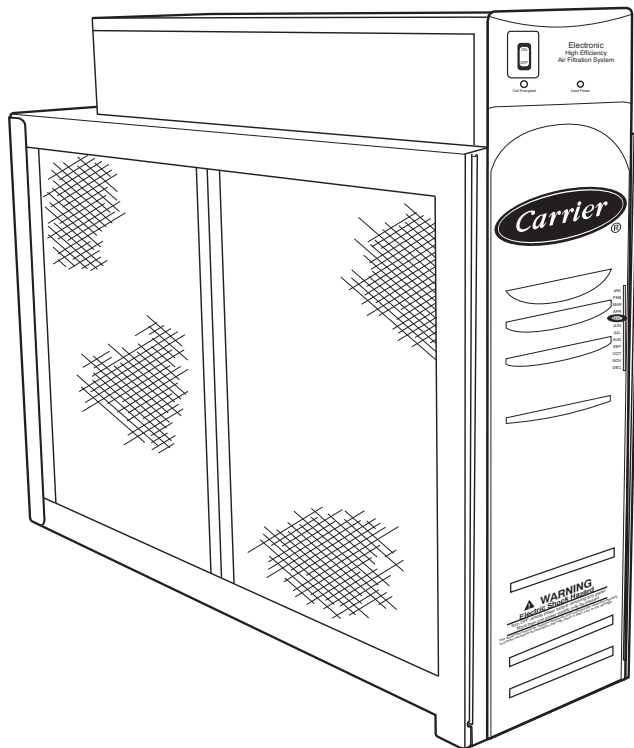


EACB
Electronic Air Cleaner
Performance™ Series
Sizes 0014, 1614, 0020 and 2020



Turn to the Experts.™

Product Data



C04008

Performance
SERIES

This duct mounted electronic air cleaner is available in 1350 through 2000 CFM models. EACB also comes in 4 sizes (120V) and 1 size (240V) to meet your furnace and fan coil application needs. Designed to remove airborne particles down to 1 micron in size, the EACB effectively removes such particles as dust, dirt, lint, and pollen from your customer's home.

The electronic components of the Model EACB convert the 120V or 240V power supply to a 6200V VDC that imparts an electrical charge to airborne particles such as smoke, bacteria, pollen, and dust. This charge causes these particles to attach themselves to the charged collecting plates, thus cleaning the airstream.

The resulting high cleaning efficiency enables the EACB to also trap the smoke and extremely fine dust particles (as small as 1 micron) that are not removed by an ordinary throw-away-type filter. These ultra-fine particles are the cause of most of the soil (smudging) of walls, draperies, curtains, etc.

The Model EACB is designed to adapt to various types of return-air duct systems and can be mounted in either a vertical or horizontal position.

FEATURES/BENEFITS

Compact - Four cabinet sizes meet most application requirements.

Fully Assembled - EACB unit is fully assembled and ready for installation.

Low Operating Costs - The monthly cost of operating these electronic air cleaner is less than that for a 60-watt light bulb.

Clean Cell Reminder - These units are equipped with a month indicator to remind the homeowner when to clean the cells.

Airflow Sensor - The EACB comes standard with airflow sensor.

Power Cord - This unit comes with a 6-ft (1.8 m) power cord to help with ease of installation.

Versatility - Airflow direction through the EACB can be reversed by simply reversing the pre-filter and cell assemblies within the cabinet.

Easily Cleaned - Soak and rinse cells; vacuum pre-filters.

Application Possibilities - Unit can be installed in a horizontal or vertical position, which makes it equally adaptable to basement, horizontal, downflow, or standard upflow applications. Furnace can be mounted on top of air cleaner without adapters.

Solid-State Power Supply - Power supply is a highly reliable state-of-the-art, solid-state, high-voltage device.

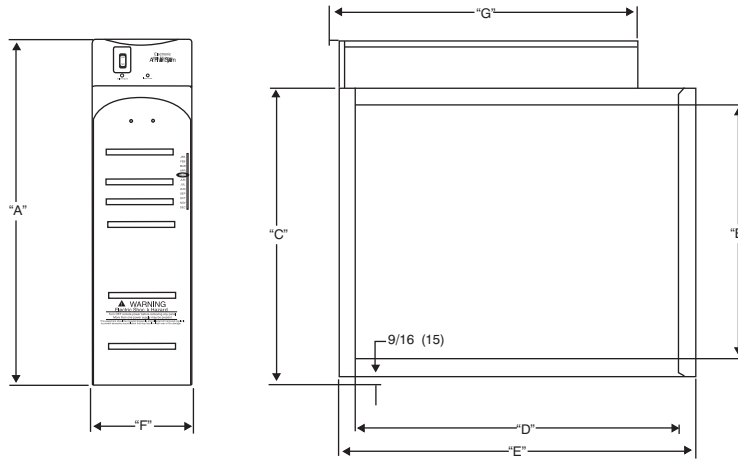
Durable Cabinet - Heavy-gauge steel cabinet supports up to 400 lb (181 kg) when installed beneath an upflow furnace.

Agency Listed - Model EACB Electronic Air Cleaner is cULus listed.

Financing - Eligible for consumer financing program.

MODEL NUMBER NOMENCLATURE

1-3	4	5	6	7-8	9-12
EAC	B	A	-	CC	0014
Product Type	Series	Electrical Supply	Not Used	Carrier	Size
Electronic Air Cleaner		A-120/1/60 B-240/1/60			0014 (120V) 0020 (120V) 1614 (120V) 2020 (120V) 2020 (240V)



C04007

DIMENSIONS

MODEL	A	B	C	D	E	F	G
EACB* - 0014	20 - 1/4" (514 mm)	13 - 7/8" (352 mm)	16 - 15/16" (430 mm)	22 - 1/2" (572 mm)	26 - 1/4" (667 mm)	7 - 1/8" (181 mm)	21 - 1/16" (535 mm)
EACB* - 0020	24 - 1/4" (616 mm)	17 - 7/8" (454 mm)	20 - 15/16" (532 mm)	22 - 1/2" (572 mm)	26 - 1/4" (667 mm)	7 - 1/8" (181 mm)	21 - 1/16" (535 mm)
EACB* - 1614	20 - 1/4" (514 mm)	13 - 7/8" (352 mm)	16 - 15/16" (430 mm)	19" (483 mm)	22 - 3/4" (578 mm)	7 - 1/8" (181 mm)	18 - 5/8" (473 mm)
EACB* - 2020	24 - 1/4" (616 mm)	17 - 7/8" (454 mm)	20 - 15/16" (532 mm)	19" (483 mm)	22 - 3/4" (578 mm)	7 - 1/8" (181 mm)	18 - 5/8" (473 mm)

PERFORMANCE DATA

MODEL	EACB* - 1614	EACB* - 2020	EACB* - 0014	EACB* - 0020
Maximum Capacity	1200 - 1350 CFM*	1600 - 2000 CFM*	1400 CFM	2000 CFM
Efficiency at Rated CFM	52% at 1350 CFM	50% at 2000 CFM	68% at 1400 CFM	65% at 2000 CFM
Pressure Drop (in wc)	0.14 at 1350 CFM*	0.22 at 2000 CFM*	0.11 at 1400 CFM	0.14 at 2000 CFM
Ozone Generation	Less than 25 ppb	Less than 25 ppb	Less than 25 ppb	Less than 25 ppb
Temperature Rating	32°F to 125°F (0°C to 52°C)	32°F to 125°F (0°C to 52°C)	32°F to 125°F (0°C to 52°C)	32°F to 125°F (0°C to 52°C)
Input Volts	120	120 & 240	120	120
Input Hertz	50/60	50/60	50/60	50/60
Normal Operation Input Power (Watts)	18.5	18.5	18.5	23
Max Input Power (Watts)	40	40	40	48
Electrical Output	2.5 mA @ 6.2 kVDC	2.5 mA @ 6.2 kVDC	2.5 mA @ 6.2 kVDC	3.2 mA @ 6.2 kVDC

* Pressure drop at maximum CFM. Filter efficiency is less than peak at this higher airflow. Refer to the Efficiency and Pressure Drop Performance chart below for different applications.

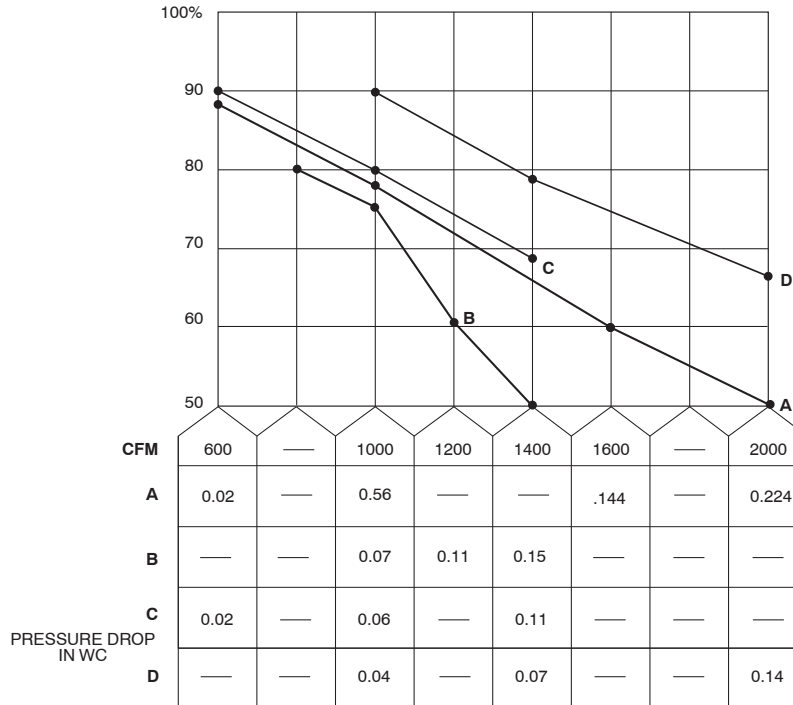
PHYSICAL DATA

MODEL	EACB*–1614	EACB*–2020	EACB*–0014	EACB*–0020
Ionizer Wire Qty	10/cell	10/cell	13/cell	13/cell
Cell Weight	7 lb (3 kg)/cell	9 lb (4 kg)/cell	10 lb (4.5 kg)/cell	12 lb (5 kg)/cell
Unit Weight	29 lb (13 kg)	30 lb (13.6 kg)	43.5 lb (19.7 kg)	48 lb (21.7 kg)
Cabinet Construction	Epoxy powdered steel; supports 400 lbs (181 kg)	Epoxy powdered steel; supports 400 lbs (181 kg)	Epoxy powdered steel; supports 400 lbs (181 kg)	Epoxy powdered steel; supports 400 lbs (181 kg)
Power Supply Location	Top of unit	Top of unit	Top of unit	Top of unit
Pre-filters	2	2	2	2
Airflow Sensor	Included	Included	Included	Included
Power Cord 6 ft (1.8 m) with plug	Included	Included (120V and 240V)	Included	Included

ACCESSORIES

MODEL	EACB*–1614	EACB*–2020	EACB*–0014	EACB*–0020
Charcoal Filter	Accommodates 3/8–in. filter (Available through RCD)	Accommodates 3/8–in. filter (Available through RCD)	Accommodates 3/8–in. filter (Available through RCD)	Accommodates 3/8–in. filter (Available through RCD)

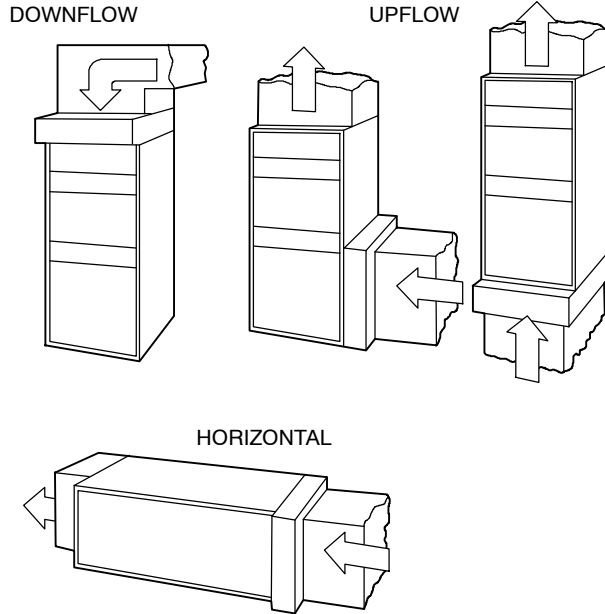
EFFICIENCY AND PRESSURE DROP PERFORMANCE CHART



A	EACB-2020
B	EACB-1614
C	EACB-0014
D	EACB-0020

A06014

TYPICAL INSTALLATIONS



AIR CLEANER PERFORMANCE CHART

Performance	STANDARD 1 IN. FILTER						
	GOOD MECHANICAL FILTER						
FULL SIZE ELECTRONIC AIR CLEANER							
Living Airborne Organisms	BACTERIA						
	POLLEN					VIRUSES	
	PLANT SPORES						
Smoke					COOKING SMOKE & GREASE		
					TOBACCO SMOKE		
Minerals	ATMOSPHERIC & HOUSEHOLD DUST						
	COAL DUST						
	LINT	ANIMAL DANDER					
		INSECTICIDE DUST					
Particle Size in Microns	10 and above Visible w/ Naked Eye	5	2	1	0.5 Visible w/Microscope	0.1 Visible w/Electron Microscope	0.01 0.001
Particle Number	0.005%	0.425%	99.57%				
Particle Weight	70%	63%	9%				
Most Staining Effect							
Most Likely Retained in Lungs							
80% of Contamination							

A07862