

**Filter Cabinet (FILCAB)  
Cartridge Filter (FILCAR)  
EZ Flex™ (EXPXX)  
Sizes 16, 20, 24**



Turn to the Experts.™

## Product Data



**Filter Cabinet (FILCAB)**

A10047



**EZ Flex Filter (EXPXX)**

A10044



**Cartridge Filter (FILCAR)**

A10048

# FILTER CABINET (FILCAB) MODEL NUMBER NOMENCLATURE

1 2 3 4 5 6 7 8 9 10 11 12  
F I L C A B C C 0 0 1 6

**Product Type**

FILCAB = Filter Media Cabinet

**Brand**

CC = Carrier

**Size**

16  
20  
24

**Factory Assigned**

00 = Not Used

**Model FILCAB**

The FILCAB Mechanical Air Cleaner cleans the air of dust, pollen, and smoke which helps keep homes cleaner and fresher longer .

**FEATURES/BENEFITS**

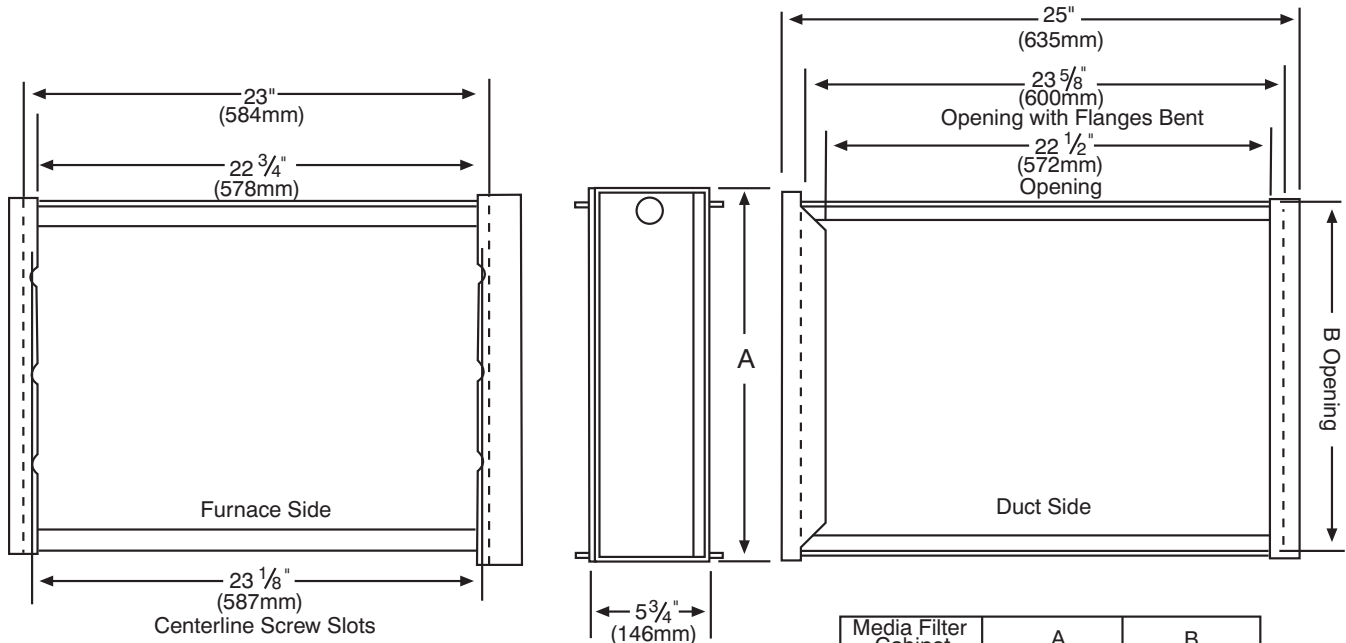
**EASY FILTER ACCESS** — Using the FILCAB air cleaner allows homeowners easy filter access. They will no longer have to go inside the furnace to access or change the filter.

**IMPROVED INDOOR AIR QUALITY (IAQ)** — When used with the Carrier high-efficiency FILCAR or EZFLEX filter, the FILCAB media cabinet provides homeowners with improved IAQ.

**TROUBLE-FREE INSTALLATION** — No electricity is required.

**NEARLY MAINTENANCE FREE OPERATION** — The only maintenance required is replacing the media filter cartridge when needed – before each heating or cooling season or at least twice a year, depending on conditions.

## DIMENSIONS



Media Filter Cabinet	A	B
16" (406mm)	17" (432mm)	16" (406mm)
20" (508mm)	21" (533mm)	20" (508mm)
24" (610mm)	25" (635mm)	24" (610mm)

A09623

## CARTRIDGE FILTER (FILCAR) MODEL NUMBER NOMENCLATURE

	1	2	3	4	5	6	7	8	9	10	11	12
	F	I	L	C	C	C	A	R	0	0	1	6
<b>Product Type</b>												
FIL = Media Filter												
<b>Brand</b>												
CC = Carrier												
<b>Model Type</b>												
CAR = Cartridge Filter												
										<b>Size</b>		
										16		
										20		
										24		
										<b>MERV</b>		
										0 = MERV 8		
										1 = MERV 11		
										<b>Factory Assigned</b>		
										0 = Not Used		

### Model FILCAR

This filter's Minimum Efficiency Reporting Value (MERV) is specified by ASHRAE Standard 52.2. It is based on lab tests to determine the filter's ability to trap particles. MERVs for residential filters will typically be in the range of MERV 1-13. The higher the value, the more efficient the filter. MERV 8 filters have a minimum of 70% particle collection efficiency in the 3-10 micron particle size range. MERV 11 filters have a minimum of 85% particle collection efficiency in the 3-10 micron particle size range and 65% - 80% particle collection efficiency in the 1-3 micron particle size range. (Human hair is approximately 50-100 microns in diameter.) All three sizes of filters are offered in MERV 8 and MERV 11.

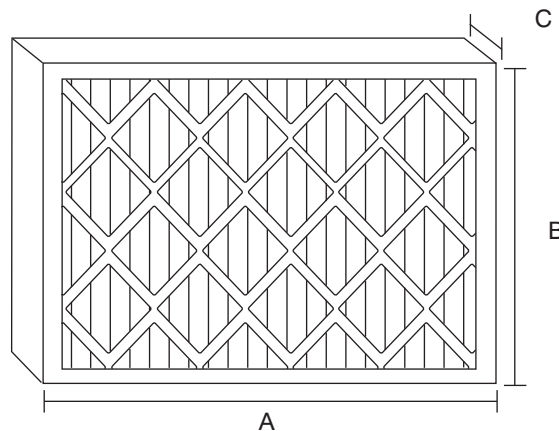
### FEATURES/BENEFITS

**LARGE DUST HOLDING CAPACITY** — These filters can accommodate between 22 and 28 sq. ft. (2 and 3 sq. meter) of filter media into a unique low-pressure drop design — providing one of the largest dust-holding capacities available in efficient residential air cleaners today.

The exceptionally large surface area traps dust, pollen, molds, tobacco smoke, grease, soot, bacteria, and animal dander to provide cleaner, fresher air that is free of airborne pollutants and irritants regardless of the season.

**EXCEPTIONAL SYSTEM PERFORMANCE** — For optimum system performance, use the FILCAB & Carrier high efficiency media filters designed especially for Carrier furnaces.

### DIMENSIONS



A09633

PRODUCT NUMBER	MEDIA AREA (GROSS)	DIMENSIONS IN. / MM (A x B x C) TOLERANCE: +/- 0.125" / 3.2mm
FILCCAR0016-A02 FILCCAR0116-A02	≥ 22.2 sq. ft / 2.1 sq. m	24.75" x 15.75" x 4.3125" / 629mm x 400mm x 110mm
FILCCAR0020-A02 FILCCAR0124-A02	≥ 26.7 sq. ft. / 2.5 sq. m	24.75 x 19.875 x 4.3125 / 629mm x 505mm x 110mm
FILCCAR0024-A02 FILCCAR0124-A02	≥ 28.1 sq. ft / 2.6 sq. m	24.75 x 23.6875 x 4.3125 / 629mm x 600mm x 110mm

## CARTRIDGE FILTER (FILCAR) - cont.

### PHYSICAL DATA

SIZE	016 / 116	020 / 120	024 / 124
Rated Air Flow	600–1600 CFM	600–2000 CFM	600–2200 CFM
MERV	8 / 11	8 / 11	8 / 11
Typical Static Pressure Drop (in. wc.) Clean @ rated airflow	.23 / .26	.19 / .24	.17 / .20
Filter Media	Polyolefin / Polypropylene polyethylene		
Shipping Weight (2 pack)	6 lb / 3 kg	8 lb / 4 kg	8 lb / 4 kg

PLEATED MEDIA FILTER	MERV 8 EFFICIENCY <sup>1</sup>	MERV 11 EFFICIENCY <sup>1</sup>
16–in. (FILCCAR0016) / (FILCCAR0116)	E1: 19.8%	E1: 43.0%
	E2: 50.0%	E2: 71.6%
	E3: 72.7%	E3: 89.6%
20–in. (FILCCAR0020) / (FILCCAR0120)	E1: 19.8%	E1: 43.0%
	E2: 50.0%	E2: 71.6%
	E3: 72.7%	E3: 89.6%
24–in. (FILCCAR0024) / (FILCCAR0124)	E1: 19.8%	E1: 43.0%
	E2: 50.0%	E2: 71.6%
	E3: 72.7%	E3: 89.6%

**NOTES:**

1. Minimum Efficiency Reporting Value (MERV) per ASHRAE 52.2 2007 (Exceeds ASHRAE 62.2 2007 requirement for manufacturers to provide a filter with a MERV rating of at least 6.

E1: MINIMUM Average Efficiency for particles sized between 0.3 and 1 micron.

E2: MINIMUM Average Efficiency for particles sized between 1 and 3 microns.

E3: MINIMUM Average Efficiency for particles sized between 3 and 10 microns.

### REPLACEMENT FILTERS

REPLACEMENT FILTERS ORDER NUMBER			
MERV 8	FILCCAR0016	FILCCAR0020	FILCCAR0024
MERV 11	FILCCAR0116	FILCCAR0120	FILCCAR0124
Number of Filters per Carton	2	2	2

### PRESSURE DROP AT VARIOUS AIRFLOWS (CLEAN)

AIRFLOW (CFM)	FACTORY SUPPLIED FURNACE/FAN COIL FILTER	FILCCAR0016 / FILCCAR0116	FILCCAR0020 / FILCCAR0120	FILCCAR0024 / FILCCAR0124
	RESISTANCE (INCHES OF WATER) (CLEAN FILTER)			
600	0.015	0.045 / 0.045	0.025 / 0.035	0.020 / 0.020
800	0.020	0.070 / 0.075	0.045 / 0.055	0.030 / 0.040
1000	0.030	0.105 / 0.110	0.060 / 0.080	0.050 / 0.060
1200	0.035	0.140 / 0.150	0.085 / 0.100	0.070 / 0.075
1400	0.045	0.180 / 0.200	0.100 / 0.130	0.080 / 0.100
1600	0.055	0.230 / 0.260	0.130 / 0.160	0.120 / 0.120
1800	0.062	–	0.165 / 0.200	0.140 / 0.140
2000	0.070	–	0.190 / 0.240	0.150 / 0.175
2200	–	–	–	0.170 / 0.200

**NOTE:** When applying the FILCAB and FILCAR, attention must be given to the duct and system design because all these components affect system static pressure. The FILCAR has a higher static pressure drop than the typical factory supplied furnace and/or fan coil filter (as shown above), but is designed to ensure proper system efficiency and reliability when applied to a properly designed duct system and properly sized HVAC equipment.

**EZ FLEX™ FILTER (EXPXX)  
MODEL NUMBER NOMENCLATURE**

**MODEL NUMBER NOMENCLATURE**

	1	2	3	4	5	6	7	8	9	10	11	12
	E	X	P	X	X	F	I	L	0	0	1	6
<b>Product Type</b> Media Filter											<b>Size</b> 16 20 24	
<b>Brand</b> Non-brand specific												
<b>Model Type</b> FIL - Replacement Filter for EXPUNV (without end caps) UNV - Replacement Assembly for EZXCAB (with end caps) Trion®, Honeywell® and SpaceGard® cabinets											<b>MERV</b> 0 - MERV 10 3 - MERV 13	
											Factory Assigned 0 - Not used	

**EZ FLEX FILTER**

The EZ Flex Expandable Air Filter sets the precedent in the air filtration industry. Coupling easy, time saving assembly and flexible design, the EZ Flex filter is the answer for any contractor who wants to save both time and money.

**FEATURES/BENEFITS**

**FLEXIBLE DESIGN** — EZ Flex can be used in upflow, downflow and horizontal applications.

**EFFICIENT DESIGN** — The EZ Flex filter is available in MERV 10 and MERV 13. MERV (ASHRAE Standard 52.2, Minimum Efficiency Reporting Value) for residential filters will

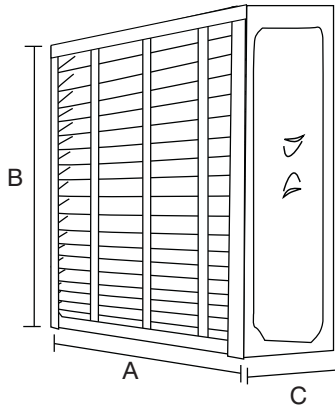
typically be in range of MERV 1-13. The higher value the more efficient the filter.

**SYSTEM FRIENDLY PRESSURE DROP** — The EZ Flex filter protects HVAC system by not producing significant pressure drop, therefore allowing the system to operate at its optimum efficiency.

**LARGE DUST HOLDING CAPACITY** — The EZ Flex has a high dust holding capacity. This increases the time between filter changes.

The exceptionally large surface area traps dust, pollen, molds, tobacco smoke, grease, soot, bacteria, and animal dander to provide cleaner, fresher air that is free of airborne pollutants and irritants regardless of the season.

## DIMENSIONS



A09632

UNIT SIZE	MEDIA AREA (GROSS)	DIMENSIONS IN. / MM (A x B x C) TOLERANCE: +/- 0.125" / 3.2mm UNV MODELS
0016 / 0316	23.14 sq ft / 2.15 sq m	24.6875 X 15.9 X 4.5 (627.06 X 403.86 X 114.3)
0020 / 0320	28.58 sq ft / 2.66 sq m	24.6875 X 19.9 X 4.5 (627.06 X 505.46 X 114.3)
0024 / 0324	34.03 sq. ft / 3.16 sq m	24.6875 X 23.9 X 4.5 (627.06 X 607.06 X 114.3)

## EZ FLEX FILTER (EXPXX) - cont.

### PHYSICAL DATA

SIZE	016 / 316	020 / 320	024 / 324
Rated Airflow	600–1600 CFM	600–2000 CFM	600–2200 CFM
MERV	10 / 13	10 / 13	10 / 13
Typical Static Pressure Drop (in. wc.) (Clean @ rated airflow) <sup>1</sup>	.20 / .25	.19 / .23	.15 / .18
Filter Media	Synthetic		
Filter Area (sq ft / sq m)	23.14 sq. ft. / 2.1 sq. m	28.58 sq. ft. / 2.7sq. m	34.03 sq. ft. / 3.2sq. m
Shipping Weight (10 pack) (lbs / kg)	25 lb / 11.3 kg	26 lb / 11.8 kg	30 lb / 13.6 kg

1. Initial pressure drop (in. wc) at rated airflow (1400CFM for EXPXXUNV0016, EXPXXFIL0016, 1700CFM for EXPXXUNV0020, EXPXXFIL0020, and 2000CFM for EXPXXUNV0024, EXPXXFIL0024).

PLEATED MEDIA FILTER	MERV 10 EFFICIENCY <sup>1</sup>	MERV 13 EFFICIENCY <sup>1</sup>
16–in.	E1: 24.4%	E1: 38.2%
	E2: 56.3%	E2: 90.0%
	E3: 92.4%	E3: 98.9%
20–in.	E1: 26.2%	E1: 38.2%
	E2: 60.2%	E2: 90.0%
	E3: 86.0%	E3: 98.9%
24–in.	E1: 24.3%	E1: 38.2%
	E2: 52.7%	E2: 90.0%
	E3: 86.1%	E3: 98.9%

**NOTES:**

1. Minimum Efficiency Reporting Value (MERV) is specified by ASHRAE Standard 62.2 2007. It is based on lab tests to determine the filter's ability to trap particles. MERVs for residential filters will typically be in the range of MERV 1–13. The higher the value, the more efficient the filter. MERV 10 filters have a minimum of 85% particle collection efficiency in the .3–.10 micron particle size range. (Human hair is approximately 50–100 microns in diameter.) MERV 13 filters have a minimum of 90% particle collection efficiency in both the 1–3 micron and 3–10 micron particle size ranges.

- E1: MINIMUM Average Efficiency for particles sized between 0.3 and 1 micron.
- E2: MINIMUM Average Efficiency for particles sized between 1 and 3 microns.
- E3: MINIMUM Average Efficiency for particles sized between 3 and 10 microns.

### REPLACEMENT FILTERS

REPLACEMENT FILTERS ORDER NUMBER			
MERV 10	EXPXXFIL0016	EXPXXFIL0020	EXPXXFIL0024
MERV 13	EXPXXFIL0316	EXPXXFIL0320	EXPXXFIL0324
Number of Filters per Carton	10	10	10

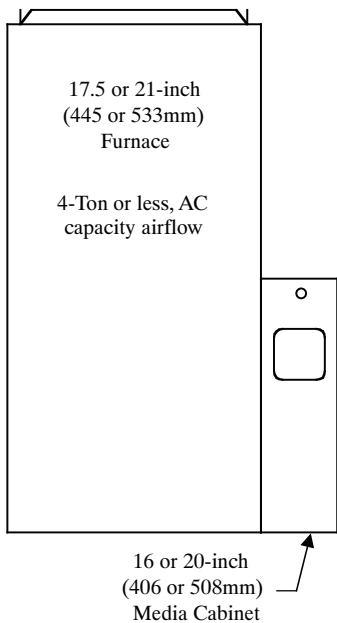
### PRESSURE DROP AT VARIOUS AIRFLOWS (CLEAN)

AIRFLOW (CFM)	FACTORY SUPPLIED FURNACE/FAN COIL FILTER	EXPXXFIL0016 / EXPXXFIL031	EXPXXFIL0020 / EXPXXFIL0320	EXPXXFIL0024 / EXPXXFIL0324
		RESISTANCE (INCHES OF WATER) (CLEAN FILTER)		
600	0.015	0.045 / .050	0.030 / .050	0.020 / .025
800	0.020	0.075 / .090	0.050 / .070	0.030 / .040
1000	0.030	0.110 / .130	0.075 / .100	0.050 / .060
1200	0.035	0.150 / .190	0.100 / .130	0.070 / .085
1400	0.045	0.200 / .250	0.130 / .150	0.080 / .100
1600	0.055	0.250 / .310	0.160 / .200	0.120 / .120
1800	0.062	— / —	0.200 / .240	0.140 / .150
2000	0.070	— / —	0.230 / .300	0.150 / .180
2200	—	— / —	— / —	0.180 / .210

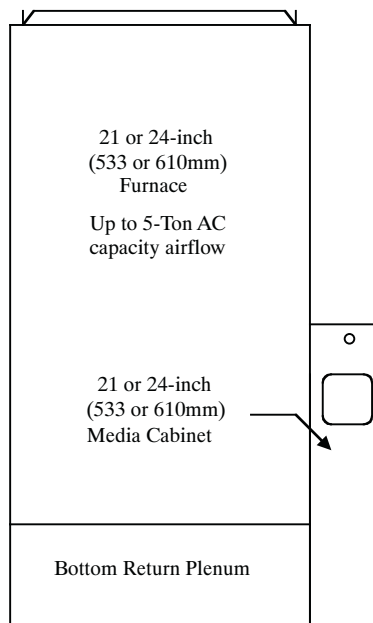
**NOTE:**

When applying the EZ Flex, attention must be given to the duct and system design because all these components affect system static pressure. The EZ Flex has a higher static pressure drop than the typical factory supplied furnace and/or fan coil filter (as shown above), but is designed to ensure proper system efficiency and reliability when applied to a properly designed duct system and properly sized HVAC equipment.

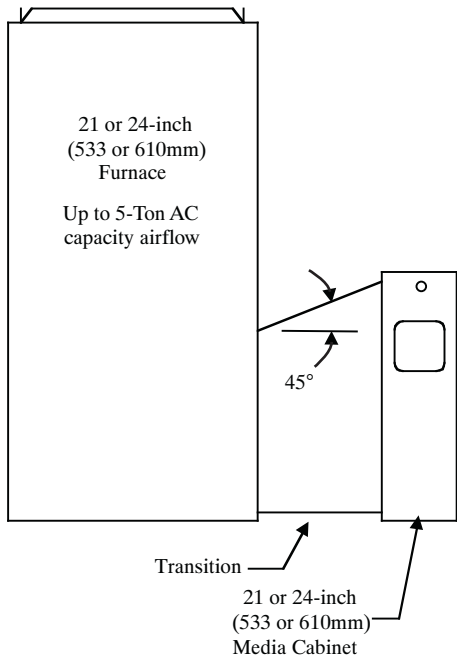
# TYPICAL INSTALLATIONS



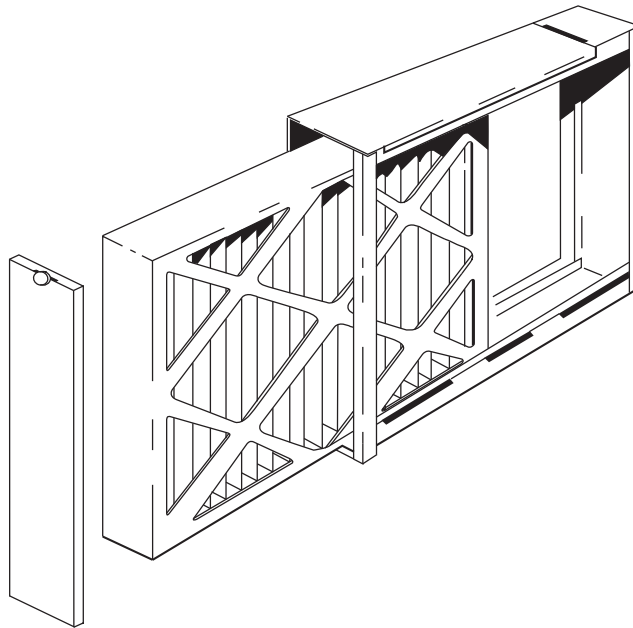
A09631



A09630



A09629



A01045

Install FILCAR Media Filter Cartridge in the FILCAB Media Filter Cabinet.